

DESA™ INSTALLATION INSTRUCTIONS FOR PCDM-36VB CONVERSION KIT

For more information, visit www.desatech.com

CONVERTING FROM NATURAL GAS TO PROPANE/LP GAS

For Use When Converting Model (V)V36N(-B)(C1) Series and CHDV36NR-C Series

This conversion kit must be installed by a qualified service agency.

Read these instructions completely before installing this conversion kit.

Before proceeding, make sure the gas control valve is in the OFF position, all electrical power to the appliance is off, and the fireplace is cool to the touch.

CAUTION: The gas supply shall be shut off prior to disconnecting the electrical power before proceeding with the conversion.

Parts included with this kit:

Part No.	Description	Quantity
114418-01	Instruction Sheet	1
108085-02	Pilot Orifice LP (30)	1
104506-20	Pan Burner Orifice LP (117, #56)	1
14544	Tube Burner Orifice LP (104, #59)	1
14488	Gas Valve Regulator LP	1
114355-39	Conversion Label, English	1
114356-39	Conversion Label, French	1
56060	Conversion Information Label	1
106739-01	Registration, Gas Conversion	1

Tools Required

- 7/8" Open End Wrench or Adjustable Wrench
- 3/4" Open End Wrench or Adjustable Wrench
- 11/16" Open End Wrench or Adjustable Wrench
- Torx T20 or Slotted Screwdriver
- 5/32" Allen Wrench
- #2 Short Phillips Screwdriver
- Thread Sealant (Resistant to Propane/LP)

ACCESSING FIREPLACE

The gas control valve and burner orifices are located under the firebox floor of the appliance and are accessed by removing the lower louver panel. The pilot orifice is located in the pilot burner and is accessed by opening the glass door and removing the logs.

Removing Louver Panels

Remove the top and bottom louver panels by simultaneously pulling both top end spring latches towards the center of the appliance until they are disengaged from the locating holes (see Figure 1). Repeat for bottom spring latches and pull the louvers outward. To install or replace items removed, simply reverse the procedures above.

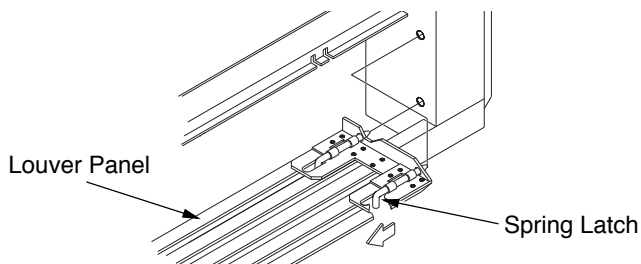


Figure 1 - Removing Louver Panel

Opening Glass Door

1. Remove screen assembly by pushing the rod either left or right and then down and forward. Set assembly aside.
2. Lift up on latches of door to unlock. There are two on top of firebox and two below firebox that hold glass door in place (see Figure 2).
3. Remove log set from firebox. Refer to *Installing Logs, Lava Rock and Glowing Embers* in owner's manual.

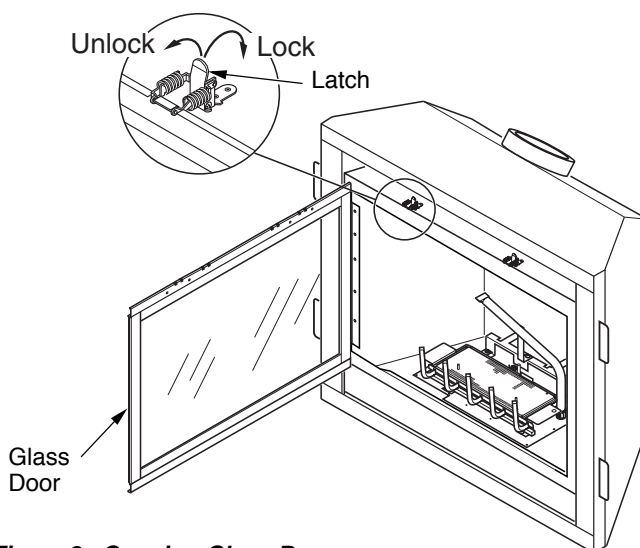


Figure 2 - Opening Glass Door

Save this manual for future reference.



PAN BURNER ORIFICE CONVERSION

1. Inside the control compartment under firebox, locate aluminum tube with flare fitting and adapter fitting on the left side. Loosen flare fitting and disconnect aluminum tube from adapter fitting. Use a 3/4" open end wrench (see Figure 3).
2. Carefully cut away the RTV silicone from the adapter fitting where it passes through the firebox bottom (see Figure 3). Remove adapter fitting from elbow fitting by turning counterclockwise. Use an 11/16" open end wrench.
3. Inside firebox, locate two small burner hold down brackets on rear of pan burner. Remove screws with phillips screwdriver and carefully lift pan burner assembly up and out of firebox (Do not force the assembly during removal.) See Figure 4.
4. Remove elbow fitting with orifice from burner manifold by turning counterclockwise. Use a 3/4" open end wrench. Remove NG orifice from elbow fitting. Apply a light amount of propane/LP resistant sealant to short threaded end of LP orifice (117, #56) supplied in kit. Thread LP orifice into elbow.
5. Apply light amount of propane/LP resistant sealant to long threaded end of orifice. Thread elbow fitting with orifice into burner manifold and tighten by turning clockwise. Use a 3/4" open end wrench. Make sure elbow fitting faces down.
6. Locate air shutter at end of burner manifold (see Figure 3). Loosen screw and adjust air shutter to fully open position. Retighten screw.

Note: Do not replace pan burner assembly in firebox at this time. Convert the tube burner and pilot assembly first (see *Tube Burner Orifice Conversion*, this page, and *Pilot Orifice Conversion*, page 4).

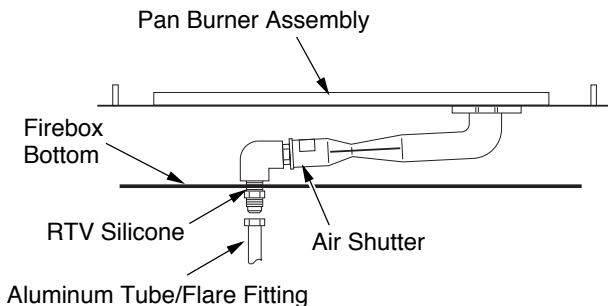


Figure 3 - Removing/Applying RTV Silicone and Locating Air Shutter

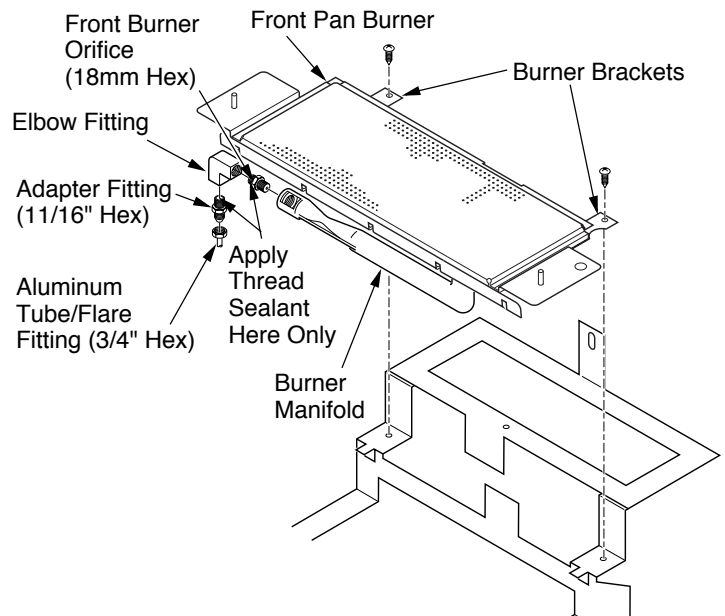


Figure 4 - Removing/Replacing Pan Burner Orifice (Tube Burner Not Shown for Clarity)

TUBE BURNER ORIFICE CONVERSION

1. Inside the control compartment under firebox bottom, locate aluminum tube with flare fitting and brass elbow on the right side. Loosen flare fitting and disconnect aluminum tube from elbow fitting. Use a 3/4" open end wrench (see Figure 5).
2. Carefully cut away RTV silicone from the orifice where it passes through the firebox bottom (see Figure 5). Remove elbow fitting with orifice from burner inlet by turning counterclockwise. Use a 7/8" open end wrench (see Figure 6, page 3).

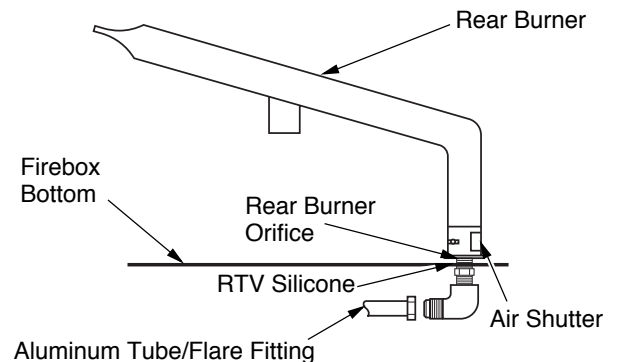


Figure 5 - Removing/Applying RTV Silicone and Locating Air Shutter

3. Remove NG orifice from elbow. Apply a light amount of propane/LP resistant sealant to short threaded end of LP orifice (104, #59) supplied in kit. Thread LP orifice into elbow.
4. Apply a light amount of propane/LP resistant sealant to long threaded end of orifice (see Figure 5, page 2). Thread elbow fitting with orifice into burner inlet and tighten by turning clockwise. Use a 7/8" open end wrench. Make sure flare end of elbow faces left.
5. Locate air shutter at end of tube burner (see Figure 5, page 2). Loosen screw and adjust air shutter to full open (maximum) position. Retighten screw.

Note: Do not replace tube burner assembly in firebox at this time. Convert the pilot assembly first (see *Pilot Orifice Conversion*).

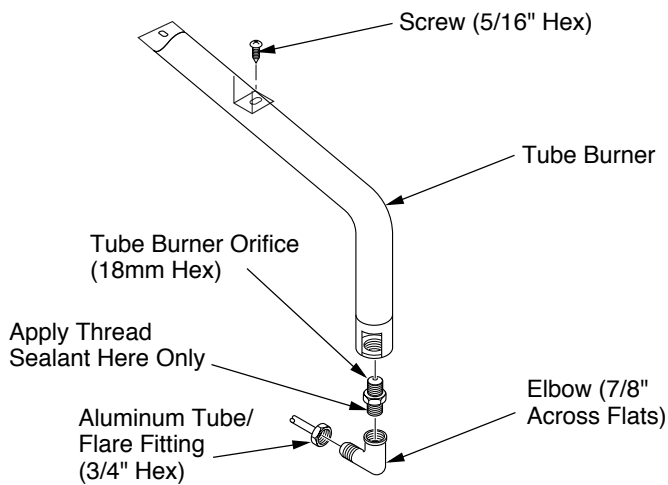


Figure 6 - Removing/Replacing Rear Burner Assembly

PILOT ORIFICE CONVERSION

1. Remove the pilot hood by pulling up until it disengages from the barrel. Do not remove the retainer clip (see Figure 7).
2. Remove the pilot orifice from inside the barrel using a 5/32" allen wrench to unscrew the orifice.
3. Replace pilot orifice with LP orifice supplied with this kit. The number 30 is stamped on the sleeve for identification. Insert the small end of the new pilot orifice into the barrel and thread until tight with the allen wrench.
4. Line up the notch on pilot hood to the positioning tab on the barrel receiver and snap back into position.

IMPORTANT: Be careful not to bend or kink the aluminum tubing during conversion. Make sure the pilot hood and orifice are properly mated and aligned after finishing this conversion.

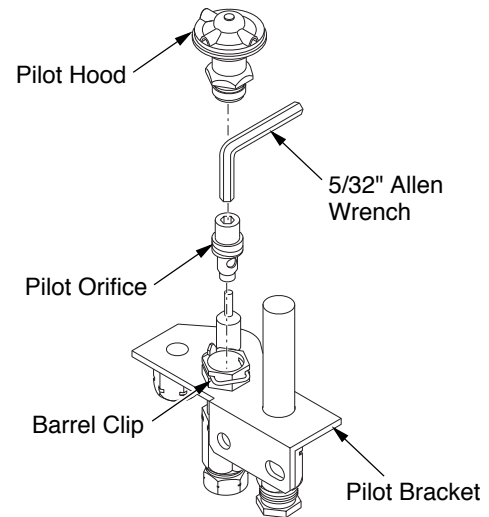


Figure 7 - Converting Pilot Orifice

REINSTALLING BURNERS

Tube Burner

1. Apply RTV silicone to orifice where it passes through the firebox bottom (see Figure 5, page 2).
2. Connect aluminum tube to elbow fitting and tighten flare fitting. Use a 3/4" open end wrench.

Pan Burner

1. Rest pan burner on grate base.
2. Using screws removed in step 3 of *Pan Burner Orifice Conversion*, page 2, reattach two small burner hold down brackets on rear of pan burner to grate base. See Figure 4, page 2.
3. Apply RTV silicone to adapter fitting where it passes through the firebox bottom (see Figure 3, page 2).
4. Connect aluminum tube to elbow fitting and tighten flare fitting. Use a 3/4" open end wrench.

GAS CONTROL VALVE CONVERSION

Convert the gas control valve by swapping out the valve regulator portion of the gas valve.

1. Using a Torx T20 or slotted screwdriver, remove and discard the three mounting screws, pressure regulator tower, and diaphragm/spring components (see Figure 8).
2. Insure that the rubber gasket is properly positioned on the new pressure regulator assembly. Install the LP pressure regulator assembly to the valve using the new mounting screws supplied with the kit. Tighten screws securely (approximately 25 in-lbs.) (see Figure 9).
3. Install the identification label enclosed with the gas valve regulator to the valve body where it can easily be seen (see Figure 9).

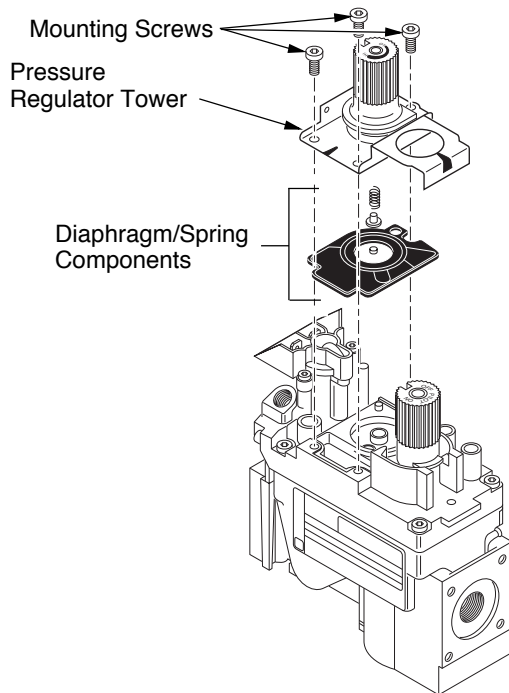


Figure 8 - Removing Mounting Screws, Pressure Regulator Tower, and Diaphragm/Spring Components

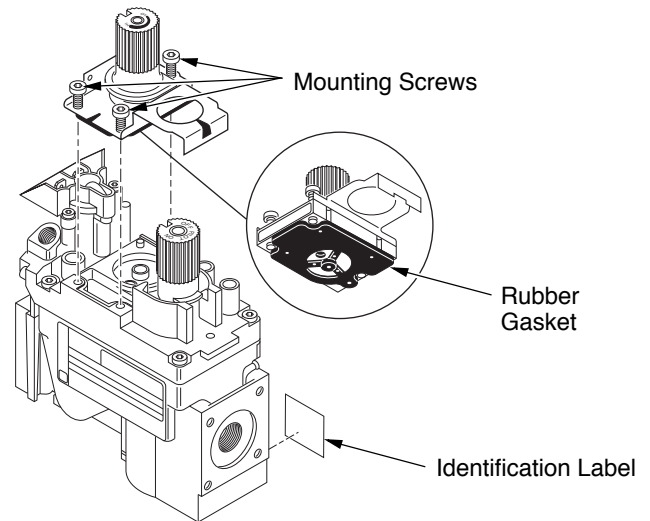


Figure 9 - Installing Pressure Regulator Assembly

CONVERSION LABELING AND PLACEMENT

1. Apply the English and French conversion labels over the top of the existing certification labels (see Figure 10). Existing certification labels are located on the lighting instruction plate inside the gas valve compartment area. With permanent ink, print the previous model number on the label in the space provided (see Figure 11).
2. After filling in the data required on the conversion information label (see Figure 12), affix it to the floor of the appliance where it is easily seen when the lower louver is removed.

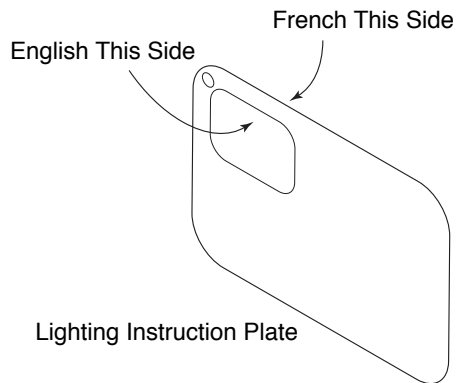


Figure 10 - Applying English and French Conversion Labels over Existing Certification Labels on Lighting Instruction Plate

VENTED GAS FIREPLACE	
Conversion Kit Model	_____
Type of Gas	_____
_____	_____
_____	_____
_____	_____
_____	_____
_____	_____
_____	_____
_____	_____
_____	_____
_____	_____
_____	_____
Previous Model #	_____

Figure 11 - Print Previous Model Number on Conversion Labels

CONVERSION INFORMATION LABEL	
This appliance was converted on _____ to _____ gas	
Day	Month Year
_____	_____
with Kit No. _____	
by _____	

(name and address of organization making this conversion), which accepts the responsibility that this conversion has been properly made.	
56060	106080-01

Figure 12 - Conversion Information Label

FINAL PREPARATION

1. Reinstall logs. Refer to *Installing Logs, Lava Rock and Glowing Embers* in owner's manual.
2. Leak check the gas control and any connections you've made before operating the appliance. Refer to *Checking Gas Connections* in owner's manual.
3. Close and latch door.
4. Replace screen and reinstall louver panels.

The conversion is now complete.

To operate your fireplace, refer to *Operating Fireplace* in your appliance owner's manual.

⚠ WARNING: Test all gas piping and connections, internal and external to unit, for leaks after installing or servicing. Correct leaks at once.

⚠ WARNING: Never use an open flame to check for a leak. Apply noncorrosive leak detection fluid to all joints. Bubbles forming show a leak. Correct all leaks at once.

⚠ WARNING: This conversion kit shall be installed by a qualified service agency in accordance with the manufacturer's instructions and all applicable codes and requirements of the authority having jurisdiction. If the information in these instruction is not followed exactly, a fire, explosion, or production of carbon monoxide may result causing property damage, personal injury, or loss of life. The qualified service agency is responsible for the proper installation of this kit. The installation is not proper and complete until the operation of the converted appliance is checked as specified in the manufacturer's instructions supplied with the kit.



2701 Industrial Drive
Bowling Green, KY 42101
www.desatech.com



114418 01

NOT A UPC

114418-01
Rev. A
06/04

For more information, visit www.desatech.com